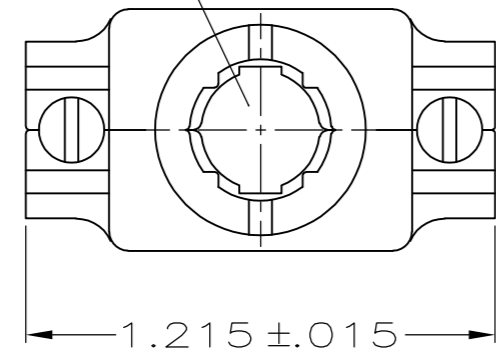


THIS DRAWING IS UNPUBLISHED. RELEASED FOR PUBLICATION  
 © COPYRIGHT - By - ALL RIGHTS RESERVED.

LOC		DIST		REVISIONS			
P	LTR	DESCRIPTION		DATE	DWN	APVD	
GP	00	A1		REVISED PER ECO-11-005033	23MAR11	RK HMR	

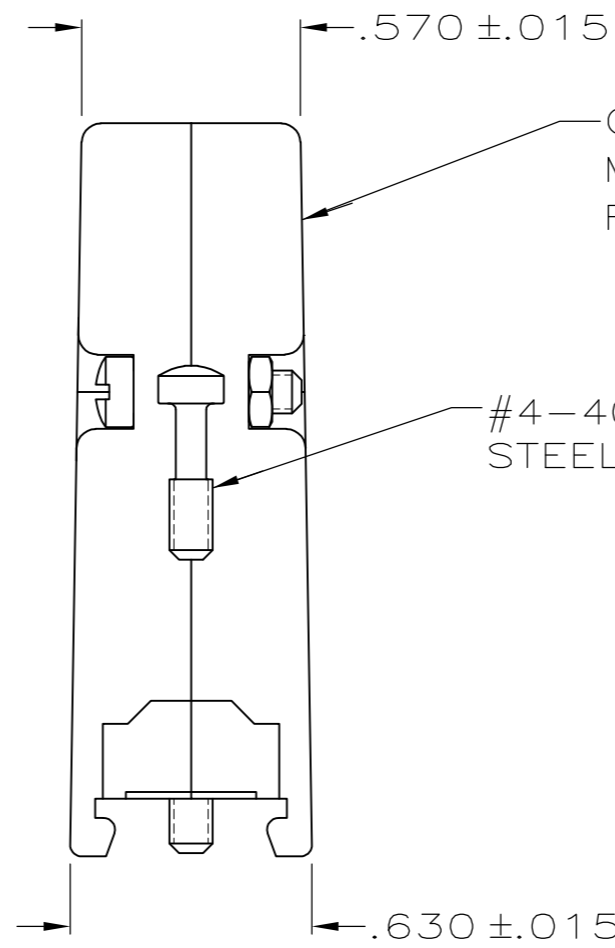
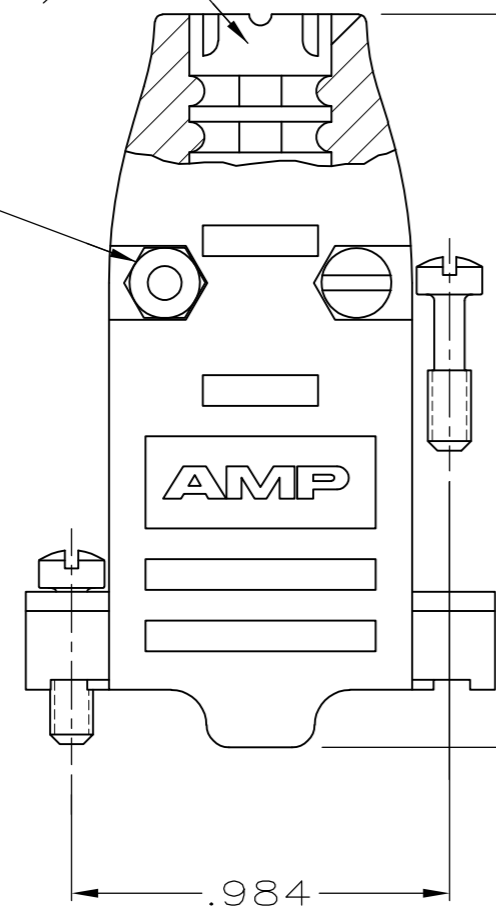
1. ALL PARTS PACKAGED UNASSEMBLED.
- ② AS SHOWN, THIS KIT CONSISTS OF 2 STRAIN RELIEF HALVES, 2 #4-40 SCREWS, 2 #4-40 NUTS & 2 #4-40 MOUNTING SCREWS.
- ③ SAME AS SHOWN, EXCEPT: EACH PART IS INDIVIDUALLY BULK PACKED FOR MULTIPLE KIT ORDERS.
- ④ ZINC PLATED .000200-.000400 THICK, CLEAR CHROMATE COATING.
- ⑤ OBSOLETE.

OPENING FOR CABLE  
(SEE DASH NO FOR DIA)



SIZE IDENTIFICATION  
LETTER MOLDED HERE  
(SEE TABLE)

#4-40 FILLISTER HEAD  
STEEL SCREW & HEX NUT,  
2 EACH REQD. ④



CABLE CLAMP  
MATERIAL: FLAME RETARDANT THERMOPLASTIC  
FINISH: BRIGHT NICKEL OVER BRIGHT COPPER

#4-40 FILLISTER HEAD SCREW  
STEEL, 2 REQD. ④

A	.200	-	5745854-5
C	.250	-	5745854-3
H	.370	5745854-2 ⑤	5745854-1
SIZE IDENT LETTER	CABLE DIA	BULK PACKED KIT NO ③	INDIVIDUAL KIT NO ②

THIS DRAWING IS A CONTROLLED DOCUMENT.		DWN	04AUG05	TE Connectivity	
DIMENSIONS: INCHES		B. MCMASTER	04AUG05		
TOLERANCES UNLESS OTHERWISE SPECIFIED:		CHK	04AUG05		
0 PLC ± - 1 PLC ± - 2 PLC ± - 3 PLC ± .005 4 PLC ± - ANGLES ± -		APVD	04AUG05		
MATERIAL SEE CALLOUT		M. WALMSLEY	04AUG05		
FINISH SEE CALLOUT		NAME	CABLE CLAMP KIT, SIZE 1, 9 POSN, 180 DEGREES, PLATED PLASTIC, AMPLIMITE		
SEE CALLOUT		PRODUCT SPEC	SIZE CAGE CODE DRAWING NO RESTRICTED TO		
SEE CALLOUT		APPLICATION SPEC	A2 C=5745854		
SEE CALLOUT		WEIGHT	SCALE 2:1 SHEET 1 of 1 REV A1		
SEE CALLOUT		CUSTOMER DRAWING			